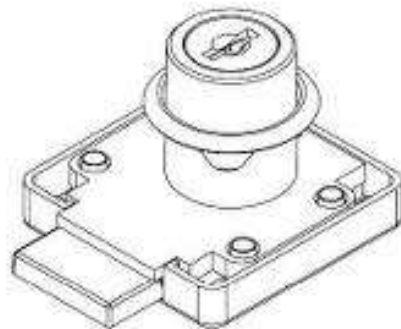
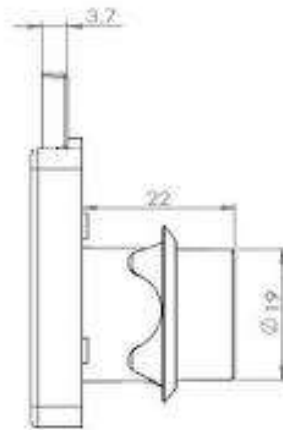
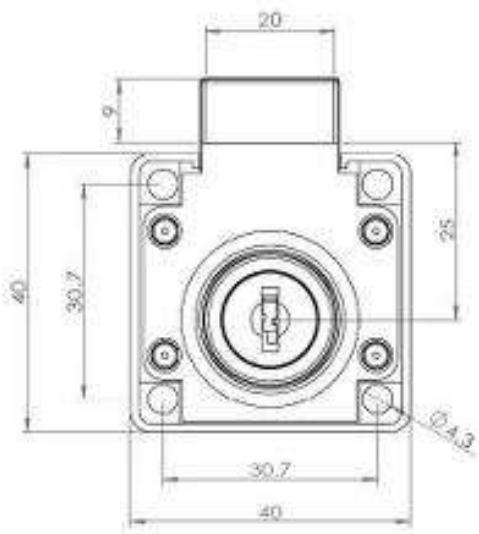


<b>Item Code:</b>	14.01.057-2
<b>Description:</b>	Rim Lock 850, $\varnothing 19 \times 22 \text{mm}$ , Right Hand, NPL, CK SISO
<b>Application:</b>	Rim Lock

## Product Overview



**RIGHT**

